

HERMETICALLY-SEALED RELAYS



Offering the ultimate contact protection against corrosive atmospheres, splashing water, sand, dust and salt spray. This T-Bar style has the identical switching, operations and reliability you will see in all T-Bar Relays because the same quality wafers and actuators are used throughout. Standard T-Bar Relays are installed in hermetically sealed metal enclosures, using glass-to-metal sealed connectors. It is backfilled with inert gas to protect the relay for ground support, shipboard and selected airborne applications. The glass sealed termination mates with MS connectors. Pulse operated magnetic latching relays are available. Legacy strong product built with experience.

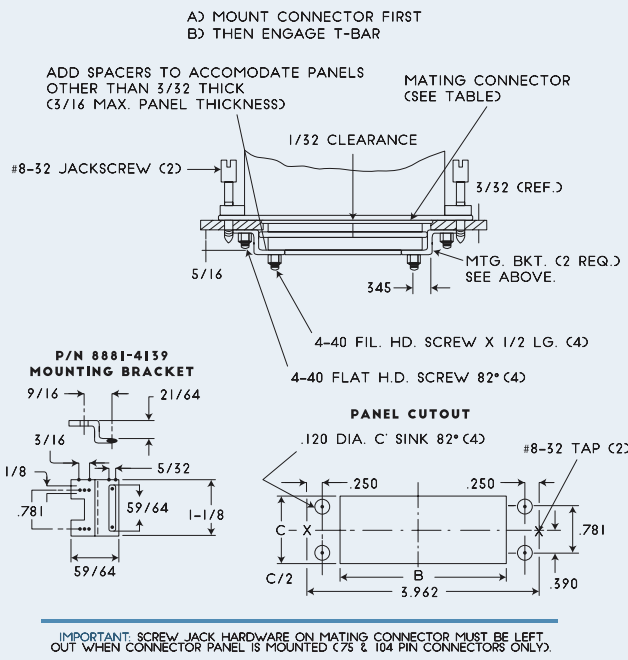


SPECIFICATIONS:

- **SEAL TYPE:** Hermetic
- **# OF POLES:** 4, 8, 12, 24, 36, 48 and 60 pole configurations.
- **COIL VOLTAGE:** 6, 12, 24, 28, 48 and 110 Volts DC + 115 Volts AC
- **TYPE OF CONTACTS:** 800 Series (5 Amp) or 900 Series (1 Amp)
- **CONTACT FORM:** A, C
- **SWITCH CONFIGURATIONS:** 24C, 36A, 48A, 34A and 51A
- **USES GLASS-TO-METAL** sealed connectors.

TECHNICAL DIAGRAMS

TYPE I CONNECTOR MOUNTING



PART NO.	NO. OF POLES + CONTACT FORM	DIMENSIONS		
		A	B	C
881/981	12C	2-45/64	2-5/8	25/32
887/987	12C	3-1/4	2-5/8	25/32
881/981 887/987	24A	3-21/32	2-5/8	25/32
	24C	3-21/32	2-5/8	1-5/32
	34C	4-1/16	2-25/32	1-5/32
	36A	4-1/16	2-5/8	1-5/32
	48A	4-15/31	2-25/32	1-5/32
	51A	4-7/8	2-25/32	1-5/32

MATING CONNECTOR CHART (CRIMP TYPE CONTACT EXCEPT AS NOTED)

TYPE OF CONN. MTG.	NO. OF PINS	NO. OF POLES & CONTACT CONFIGURATION	WINCHESTER	CONTINENTAL	
				CONNECTOR	CONTACTS
I	50	12C & 24A	MRAC50S-2020	25-50SW	2500-S420
I	75	24C & 36A	MRAC75S-2020	25-75SWG	2500-S4A20
I	104	34C, 48A & 51A		C104-20SWG-MME	(SOLDER)
II	50	12C & 24A	MRAC50SJT-2020	25-50SSK	2500-S4A20
II	75	24C & 26A	MRA75SJT-2020	25-75SSK	2500-S4A20
II	104	34C, 48A & 51A		C104-20SWS-MME	(SOLDER)

MATING CONNECTOR CHART (WIRE WRAP) .045 SQ. POST

TYPE OF CONN. MTG.	NO. OF PINS	NO. OF POLES & CONTACT CONFIGURATION	WINCHESTER	CONTINENTAL	
				CONNECTOR	CONTACTS
I	50	12C & 24A		W50SW-MME	
I	75	24C & 36A		W75SWG-MME	
I	104	34C, 48A & 51A		W104SWG-MME	
II	50	12C & 24A		W50SSK56-MME	
II	75	24C & 36A		W75SSK56-MME	
II	104	34C, 48A & 51A		W104SSK56-MME	

ORDER INFORMATION

We offer reliable, electrical solutions to optimize productivity and maximize control of your energy systems. 50+ years of proven manufacturing in the U.S.A. sourcing local products for any size order with incredible prices. Experience the shortest lead time in procuring your electrical components. View our products online at tbarrelay.com, connect at info@occorp.com or call (847) 742-3566.

PART NO.: 881-12C-28-S
T-BAR SERIES: 881
NO. OF CONTACTS: 12
CONTACT FORM: C
COIL VOLTAGE: 28
ALL OTHER OPTIONS: S