

ENVIRONMENTALLY-SEALED RELAYS



PROTECT AGAINST THE ELEMENTS WITH T-BAR CONFIDENCE

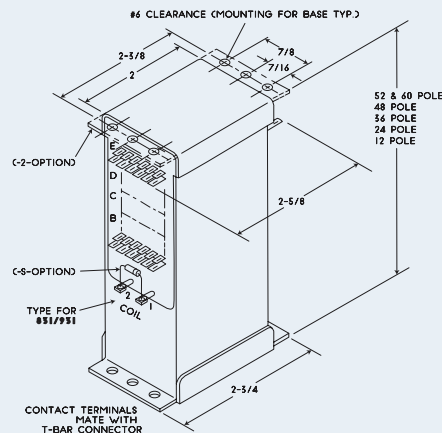
We offer contact protection against corrosive atmospheres, splashing water, sand, dust and salt spray. This T-Bar style has the identical switching, operations and reliability you will see in Standard T-Bar Switchers because the same quality wafers and actuators are used throughout. The metal enclosures and contacts are protected with a premium epoxy seal as well as backfilled with inert gas for ground support or shipboard applications and in other various hostile environments. 60 circuits are switches in a protected space as small as 2-3/4" x 1-5/8" x 4-1/2". Our products are developed with longevity and practicality in mind. **BONUS!!** Don't forget our terminals are also designed to accept T-Bar Connectors.

SPECIFICATIONS:

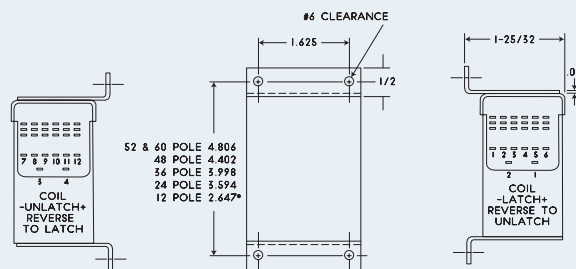
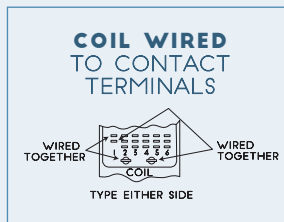
- **SEAL TYPE:** Environmental
- **# OF POLES:** 12, 24, 36, 48 and 60 pole configurations.
- **COIL VOLTAGE:** 6, 12, 24, 28, 48 and 110 Volts DC + 115 Volts AC
- **TYPE OF CONTACTS:** 800 Series (5 Amp) or 900 Series (1 Amp)
- **CONTACT FORM:** A, B, C, D
- **SIMPLE CRIMP SNAP-IN CONTACTS** fit into single block connectors for easy wiring.
- **EPOXY-SEALED** metal enclosure.

TECHNICAL DIAGRAMS

CONTACT TERMINAL (0.95 X 0.75 THK.)



TYPE FOR 837/937 WITH (CF) OPTION ONLY



-3 MOUNTING OPTION
REDUCE CONTACT COUNT BY:
ONE FOR 837/937 & 831/931
OR TWO FOR 837/937 (CF)

BONUS!!
TERMINALS DESIGNED TO ACCEPT T-BAR CONNECTORS!



ORDER INFORMATION

We offer reliable, electrical solutions to optimize productivity and maximize control of your energy systems. 50+ years of proven manufacturing in the U.S.A. sourcing local products for any size order with incredible prices. Experience the shortest lead time in procuring your electrical components. View our products online at tbarrelay.com, connect at info@occorp.com or call (847) 742-3566.

PART NO.: 831-12C-28-S
T-BAR SERIES: 831
NO. OF CONTACTS: 12
CONTACT FORM: C
COIL VOLTAGE: 28
ALL OTHER OPTIONS: S

PART NO.: 931-12C-28-S
T-BAR SERIES: 931
NO. OF CONTACTS: 12
CONTACT FORM: C
COIL VOLTAGE: 28
ALL OTHER OPTIONS: S