

DUST-TIGHT TOGGLE SWITCHES

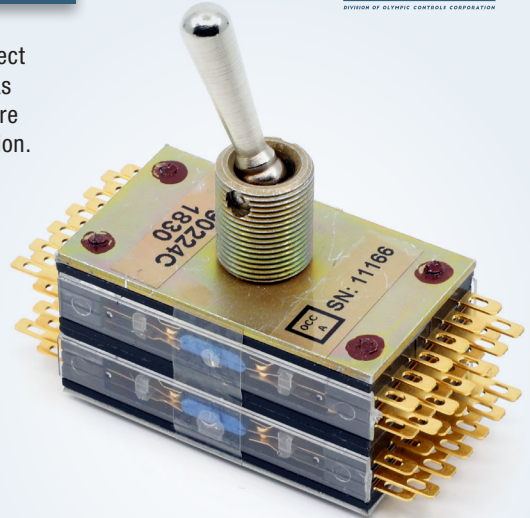


T-BAR MULTI-CONTACT DUST-TIGHT SWITCHES are designed to protect against normal ambient dust conditions and developed for use in controlled environments such as test areas, computer control rooms, broadcast studios and network management centers. They are available in switching combinations of 4 to 144 pole Double Throw—and all with maintained action.

Don't forget to ask about our two types of contact's available! The 902 Series is designed to switch dry circuits for use in data to a maximum of 1 Amp. Developed with thermocouple and instrumentations circuits. Whereas, the 802 Series is used for control and indicator circuits. Terminals are designed to accept T-Bar Connectors.

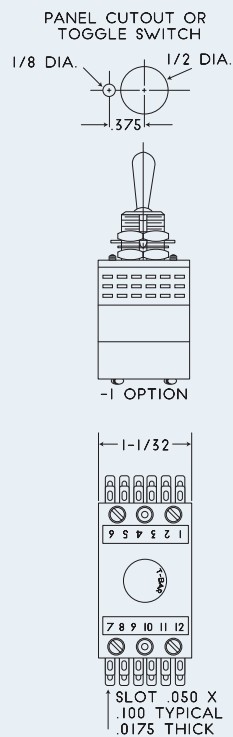
SPECIFICATIONS:

- **SEAL TYPE:** Dust-Tight
- **# OF POLES:** 1 to 144 pole configurations.
- **TYPE OF CONTACTS:** 800 Series (5 Amp) or 900 Series (1 Amp)
- **PROTECTED** against normal ambient dust conditions.
- **SWITCHES MORE CIRCUITS** in less space.

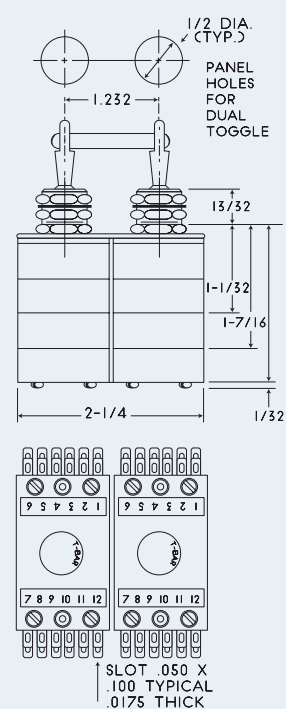


TECHNICAL DIAGRAMS

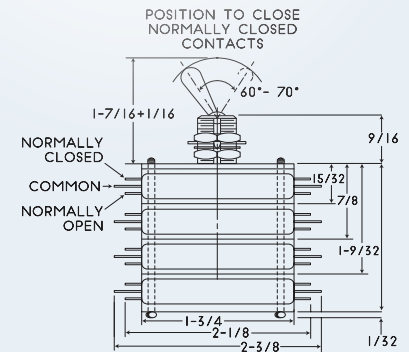
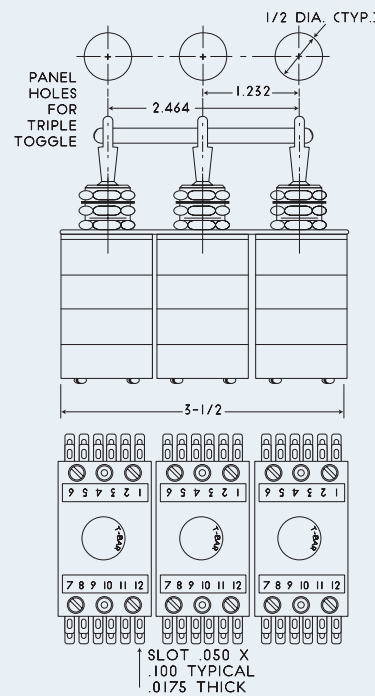
SINGLE TOGGLE



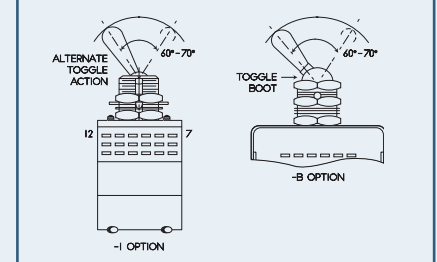
DOUBLE TOGGLE



TRIPLE TOGGLE



STANDARD OPTIONS



ORDER INFORMATION

We offer reliable, electrical solutions to optimize productivity and maximize control of your energy systems. 50+ years of proven manufacturing in the U.S.A. sourcing local products for any size order with incredible prices. Experience the shortest lead time in procuring your electrical components. View our products online at tbarrelay.com, connect at info@occorp.com or call (847) 742-3566.

PART NO.: 802-12C
T-BAR SERIES: 802/902
NO. OF CONTACTS: 12
CONTACT FORM: C