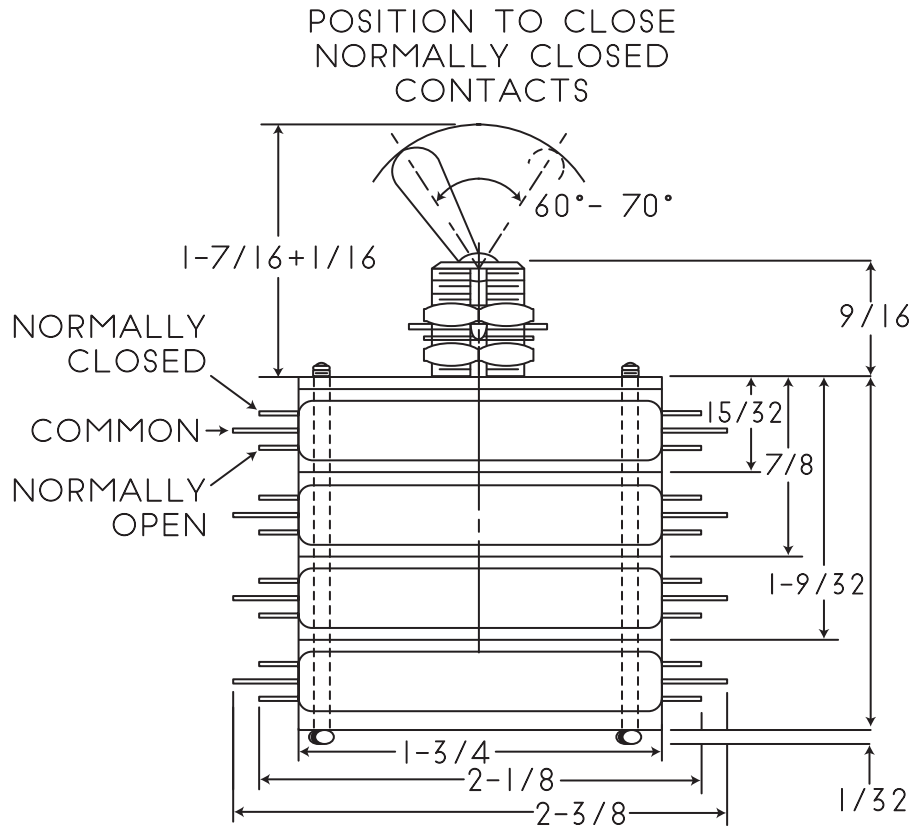




# DUST-TIGHT TOGGLE SWITCHES

## 802/902 TECHNICAL DIAGRAM 01



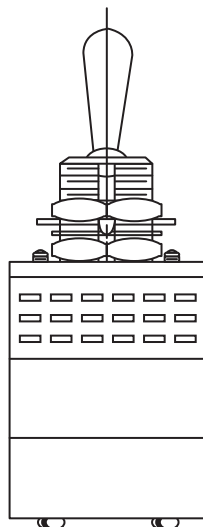
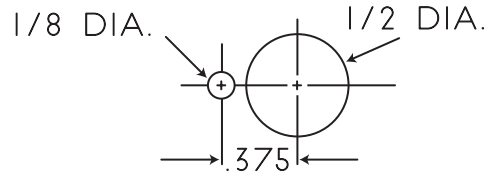


# DUST-TIGHT TOGGLE SWITCHES

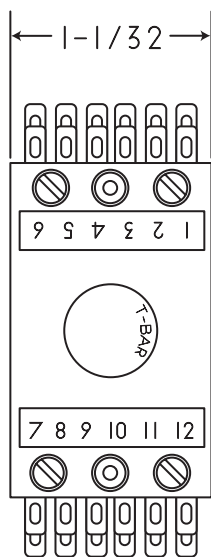
## 802/902 TECHNICAL DIAGRAM 02

### SINGLE TOGGLE

PANEL CUTOUT OR  
TOGGLE SWITCH



-1 OPTION



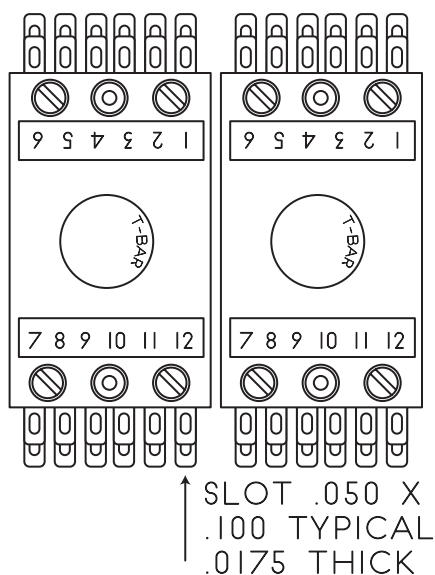
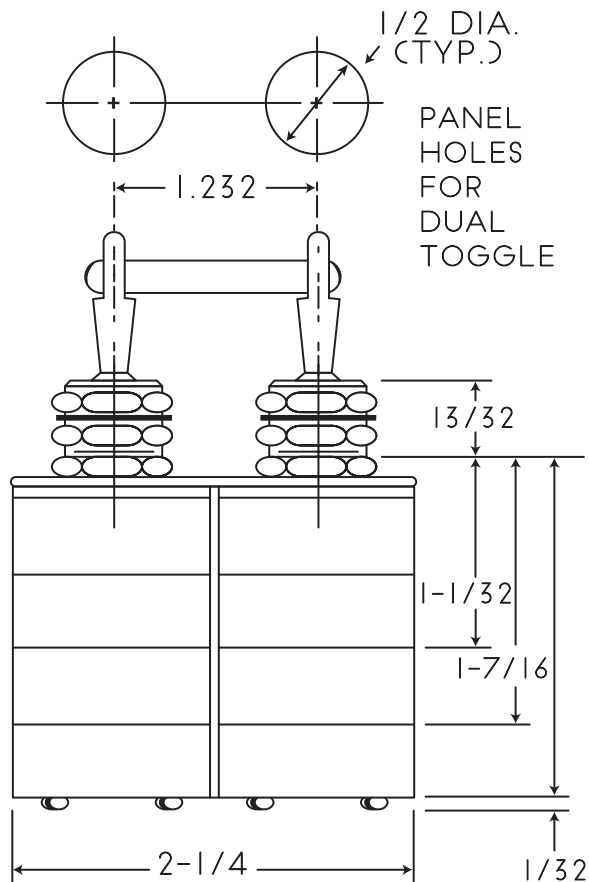
↑ SLOT .050 X  
↑ .100 TYPICAL  
↑ .0175 THICK



# DUST-TIGHT TOGGLE SWITCHES

## 802/902 TECHNICAL DIAGRAM 03

### DOUBLE TOGGLE





# DUST-TIGHT TOGGLE SWITCHES

## 802/902 TECHNICAL DIAGRAM 04

### TRIPLE TOGGLE

