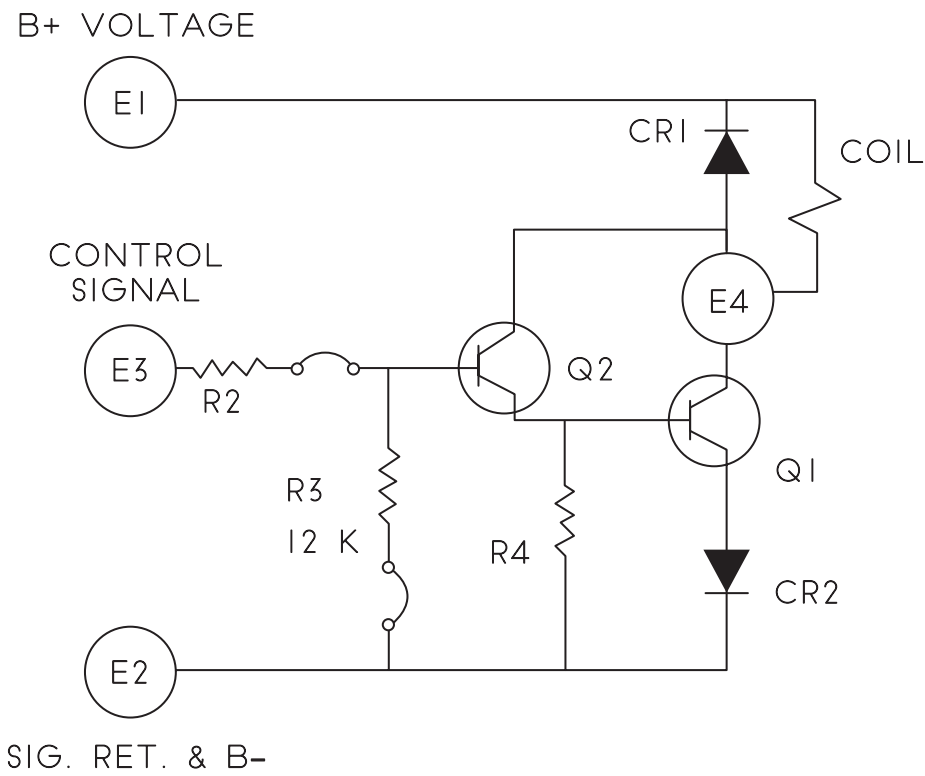




# DUST-TIGHT RELAYS

## 801/901 TECHNICAL DIAGRAM 01

### D (DRIVER CURRENT SUPPLIED)

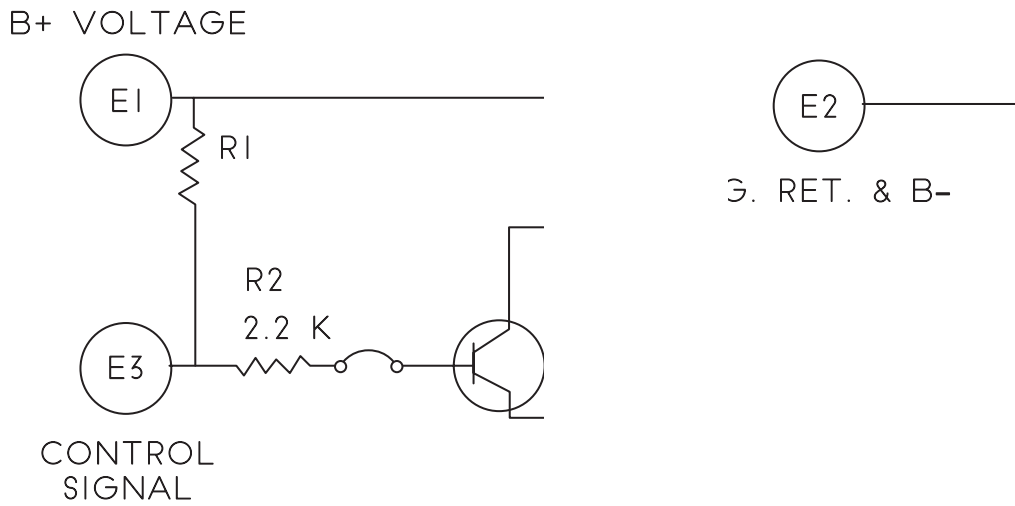




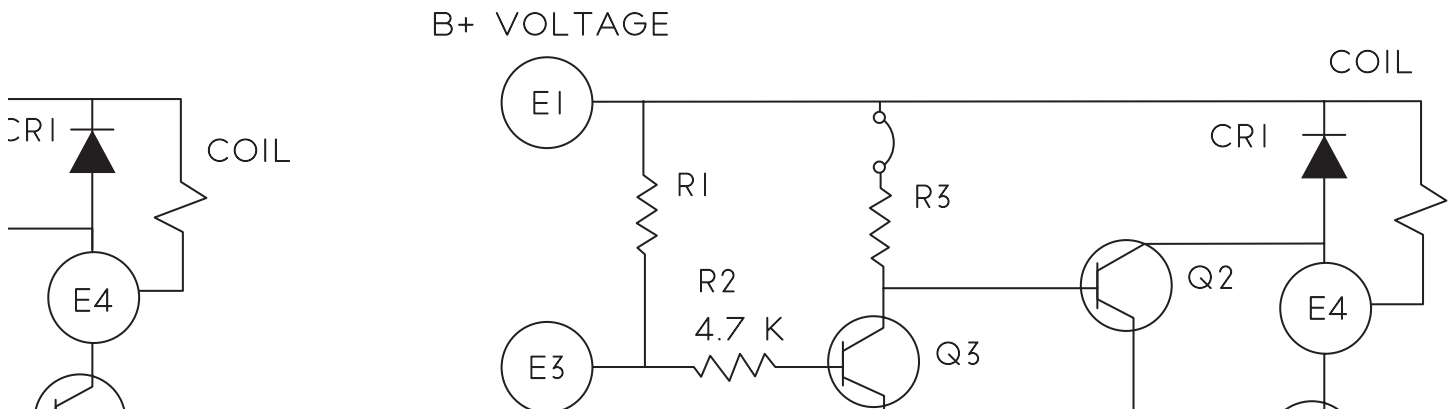
# DUST-TIGHT RELAYS

## 801/901 TECHNICAL DIAGRAM 02

### Q (TTL OR SW)



### Z (INVERTED TTL)



REV. 0424