

MAGNETIC LATCHING HERMETICALLY-SEALED SERIES



T-BAR HERMETICALLY-SEALED MULTI-POLE RELAYS

offer contact protection against corrosive atmospheres, splashing water, sand, dust and salt spray. This T-Bar style has the identical switching, operations and reliability you will see in all T-Bar Relays because the same quality wafers and actuators are used throughout.

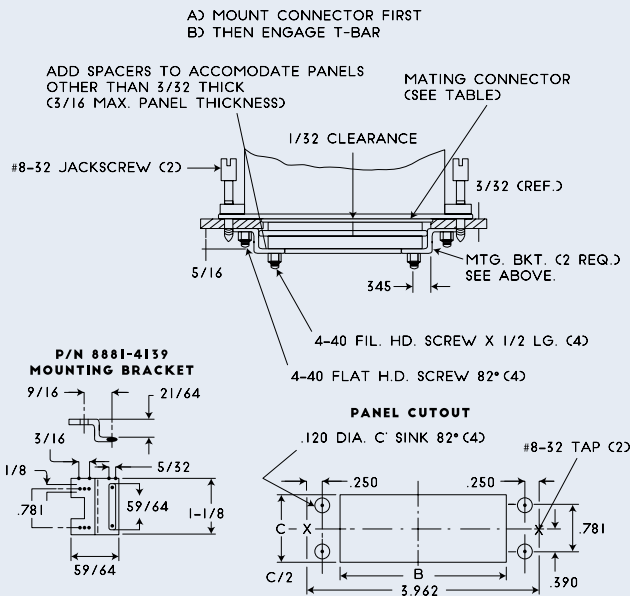
Standard T-Bar Relays are installed in hermetically sealed metal enclosures, using glass-to-metal sealed connectors. It is backfilled with inert gas to protect the relay for ground support, shipboard and selected airborne applications. The glass sealed termination mates with MS connectors. Magnetic latching relays are pulse operated. A legacy strong product built with quality.

SPECIFICATIONS:

- **SEAL TYPE:** Hermetic
- **# OF POLES:** 12, 24 and 34 pole configurations.
- **COIL VOLTAGE:** 6, 12, 24, 28, 48 and 110 Volts DC + 115 Volts AC
- **TYPE OF CONTACTS:** 800 Series (5 Amp) or 900 Series (1 Amp)
- **CONTACT FORM:** A, C
- **USES GLASS-TO-METAL** sealed connectors.

TECHNICAL DIAGRAMS

TYPE I CONNECTOR MOUNTING



IMPORTANT: SCREW JACK HARDWARE ON MATING CONNECTOR MUST BE LEFT OUT WHEN CONNECTOR PANEL IS MOUNTED (75 & 104 PIN CONNECTORS ONLY).



PART NO.	NO. OF POLES + CONTACT FORM	DIMENSIONS		
		A	B	C
881/981	12C	2-45/64	2-5/8	25/32
887/987	12C	3-1/4	2-5/8	25/32
881/981 887/987	24A	3-21/32	2-5/8	25/32
	24C	3-21/32	2-5/8	1-5/32
	34C	4-1/16	2-25/32	1-5/32
	36A	4-1/16	2-5/8	1-5/32
	48A	4-15/31	2-25/32	1-5/32
	51A	4-7/8	2-25/32	1-5/32

MATING CONNECTOR CHART (CRIMP TYPE CONTACT EXCEPT AS NOTED)

TYPE OF CONN. MTG.	NO. OF PINS	NO. OF POLES & CONTACT CONFIGURATION	WINCHESTER	CONTINENTAL	
				CONNECTOR	CONTACTS
I	50	12C & 24A	MRAC50S-2020	25-50SW	2500-S420
I	75	24C & 36A	MRAC75S-2020	25-75SWG	2500-S4A20
I	104	34C, 48A & 51A		C104-20SWG-MME	(SOLDER)
II	50	12C & 24A	MRAC50SJT-2020	25-50SSK	2500-S4A20
II	75	24C & 26A	MRA75SJT-2020	25-75SSK	2500-S4A20
II	104	34C, 48A & 51A		C104-20SWS-MME	(SOLDER)

MATING CONNECTOR CHART (WIRE WRAP) .045 SQ. POST

TYPE OF CONN. MTG.	NO. OF PINS	NO. OF POLES & CONTACT CONFIGURATION	WINCHESTER	CONTINENTAL	
				CONNECTOR	CONTACTS
I	50	12C & 24A		W50SW-MME	
I	75	24C & 36A		W75SWG-MME	
I	104	34C, 48A & 51A		W104SWG-MME	
II	50	12C & 24A		W50SSK56-MME	
II	75	24C & 36A		W75SSK56-MME	
II	104	34C, 48A & 51A		W104SSK56-MME	

ORDER INFORMATION

We are a proven legacy-run product specialist partner ready to fulfill your sourcing requirements. Reach out to discuss how our professional team can be of service to you. Our full-service capabilities include design, development and manufacturing excellence for whatever your company procurement needs may be. Our customization options will put you ahead of the competition. Trust your company to 50+ years of providing quality, made in the U.S. products by our family-owned and operated business. Connect today at info@occorp.com or call (847) 742-3566.

PART NO.: 887-12C-28-S
T-BAR SERIES: 887
NO. OF CONTACTS: 12
CONTACT FORM: C
COIL VOLTAGE: 28
ALL OTHER OPTIONS: S