



ENVIRONMENTALLY-SEALED MAGNETIC LATCHING SERIES

PROTECT AGAINST THE ELEMENTS WITH T-BAR CONFIDENCE

We offer contact protection against corrosive atmospheres, splashing water, sand, dust and salt spray. This T-Bar style has the identical switching, operations and reliability you will see in standard T-Bar Switchers because the same quality wafers and actuators are used throughout. This unit is installed in a metal enclosure and is protected with a premium epoxy seal. It is backfilled with inert gas for ground support and shipboard applications as well as in other various hostile environments. T-Bar Relays requiring continuous power and pulse operated magnetic latching relays can be environmentally-sealed.

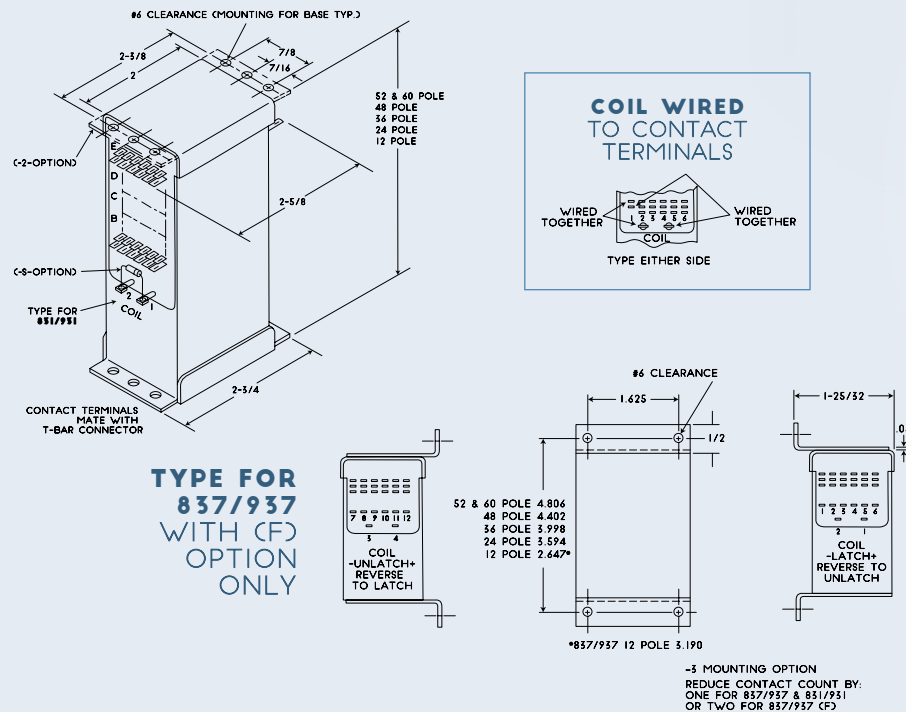
SPECIFICATIONS:

- **SEAL TYPE:** Environmental
- **# OF POLES:** 12, 24, 36, 48 and 52 pole configurations.
- **COIL VOLTAGE:** 6, 12, 24, 28, 48 and 110 Volts DC + 115 Volts AC
- **TYPE OF CONTACTS:** 800 Series (5 Amp) or 900 Series (1 Amp)
- **CONTACT FORM:** A, B, C, D
- **CUSTOM OPTIONS:** Magnetically-Shielded Coil, Logic Control (hybrid), Bifilar Coils, Coil Terminal Placement, High-Insulation Resistance, Coil Suppression and High Dielectric

METAL ENCLOSURE WITH PREMIUM EPOXY SEAL.

TECHNICAL DIAGRAMS

CONTACT TERMINAL (0.95 X 0.75 THK.)



ORDER INFORMATION

We are a proven legacy-run product specialist partner ready to fulfill your sourcing requirements. Reach out to discuss how our professional team can be of service to you. Our full-service capabilities include design, development and manufacturing excellence for whatever your company procurement needs may be. Our customization options will put you ahead of the competition. Trust your company to 50+ years of providing quality, made in the U.S. products by our family-owned and operated business. Connect today at info@occorp.com or call (847) 742-3566.

PART NO.: 837-12C-28-S
T-BAR SERIES: 837
NO. OF CONTACTS: 12
CONTACT FORM: C
COIL VOLTAGE: 28
ALL OTHER OPTIONS: S

PART NO.: 937-12C-28-S
T-BAR SERIES: 937
NO. OF CONTACTS: 12
CONTACT FORM: C
COIL VOLTAGE: 28
ALL OTHER OPTIONS: S