

DUST-TIGHT TOGGLE SWITCHES

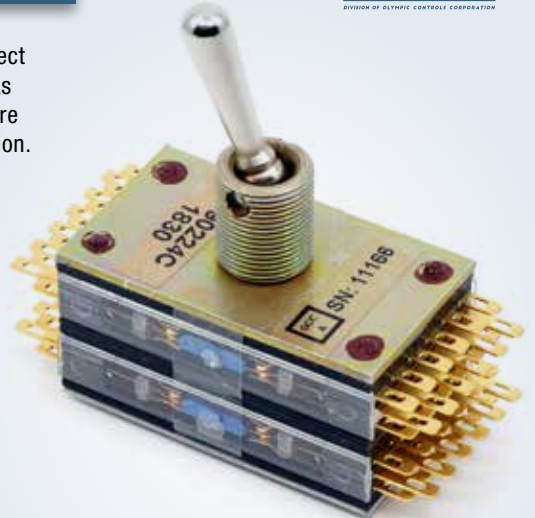


T-BAR MULTI-CONTACT DUST-TIGHT SWITCHES are designed to protect against normal ambient dust conditions and developed for use in controlled environments such as test areas, computer control rooms, broadcast studios and network management centers. They are available in switching combinations of 4 to 144 pole Double Throw—and all with maintained action.

Don't forget to ask about our two types of contact's available! The 902 Series is designed to switch dry circuits for use in data to a maximum of 1 Amp. Developed with thermocouple and instrumentations circuits. Whereas, the 802 Series is used for control and indicator circuits. Terminals are designed to accept T-Bar Connectors.

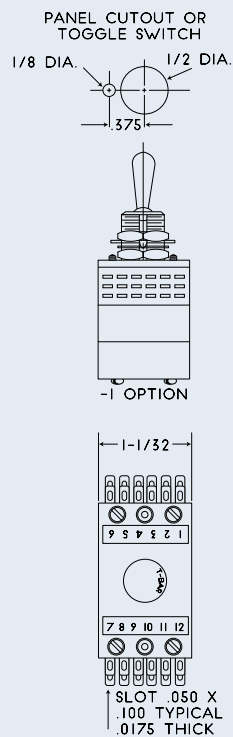
SPECIFICATIONS:

- **SEAL TYPE:** Dust-Tight
- **# OF POLES:** 1 to 144 pole configurations.
- **TYPE OF CONTACTS:** 800 Series (5 Amp) or 900 Series (1 Amp)
- **PROTECTED** against normal ambient dust conditions.
- **SWITCHES MORE CIRCUITS** in less space.

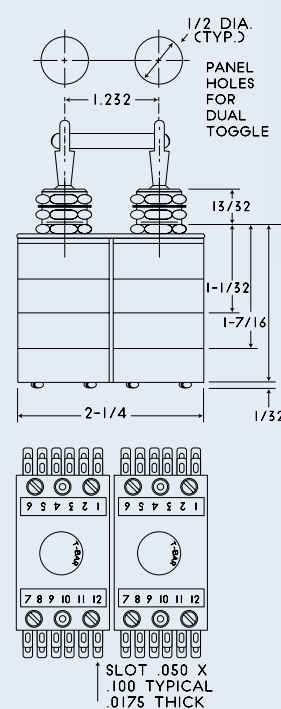


TECHNICAL DIAGRAMS

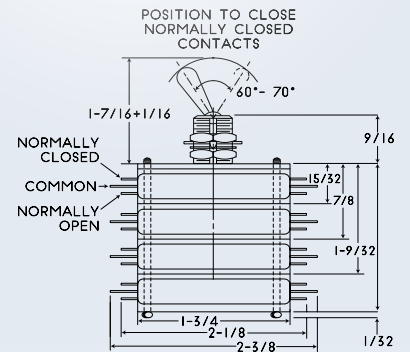
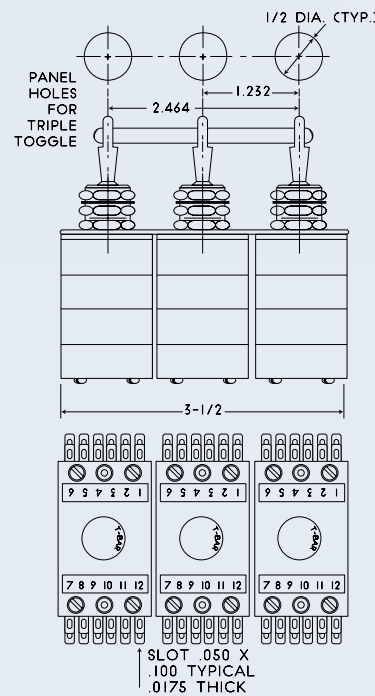
SINGLE TOGGLE



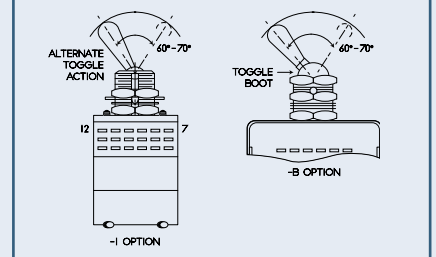
DOUBLE TOGGLE



TRIPLE TOGGLE



STANDARD OPTIONS



ORDER INFORMATION

We are a proven legacy-run product specialist partner ready to fulfill your sourcing requirements. Reach out to discuss how our professional team can be of service to you. Our full-service capabilities include design, development and manufacturing excellence for whatever your company procurement needs may be. Our customization options will put you ahead of the competition. Trust your company to 50+ years of providing quality, made in the U.S. products by our family-owned and operated business. Connect today at info@occorp.com or call (847) 742-3566.

PART NO.: 802-12C
T-BAR SERIES: 802/902
NO. OF CONTACTS: 12
CONTACT FORM: C