

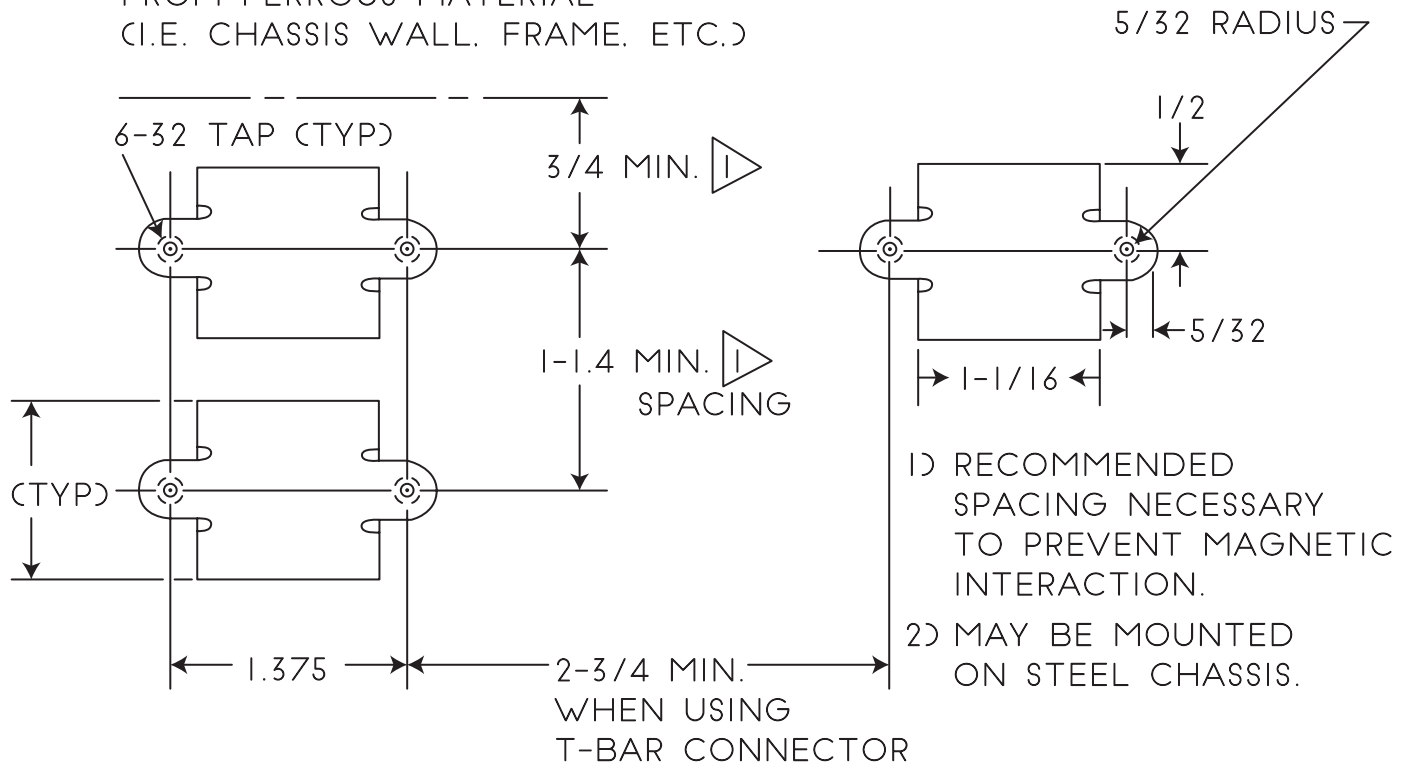


MAGNETIC LATCHING RELAYS

887/987 TECHNICAL DIAGRAM 01

MOUNTING INFORMATION

FROM FERROUS MATERIAL
(I.E. CHASSIS WALL, FRAME, ETC.)



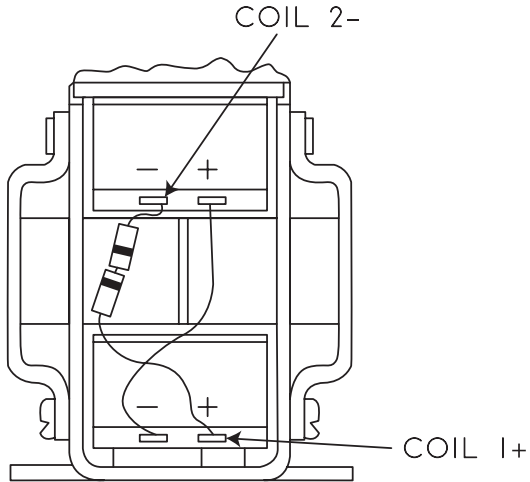


MAGNETIC LATCHING RELAYS

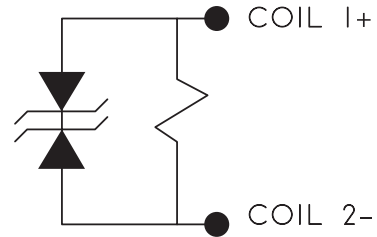
887/987 TECHNICAL DIAGRAM 02

SUPPRESSION

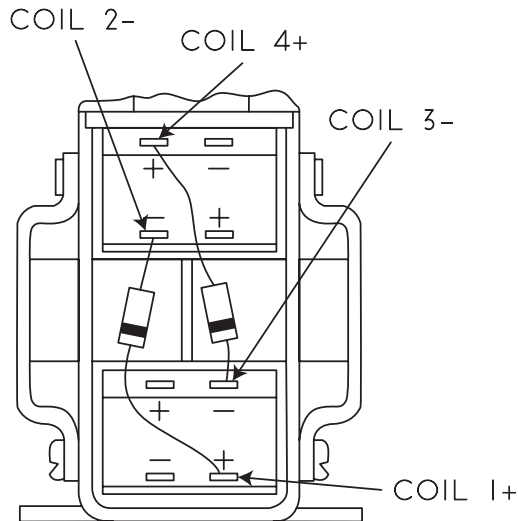
**P/N 807/907
S-OPTION**



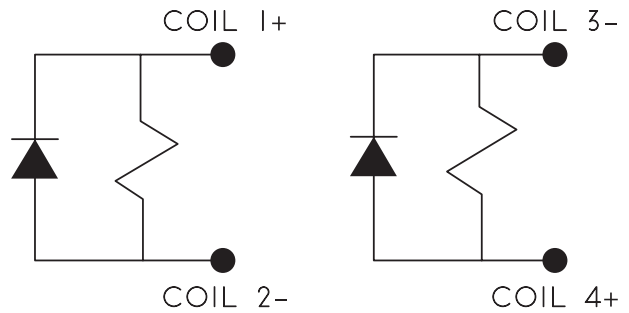
**P/N 807/907
ZENER DIODE
COIL SUPPRESSION
-S-OPTION**



**P/N 807/907
W/ -F-OPTION
-S-OPTION**



**P/N 807/907
DIODE COIL SUPPRESSION
W/ -F-OPTION**



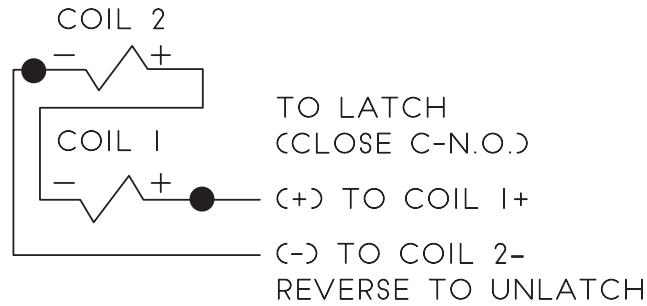
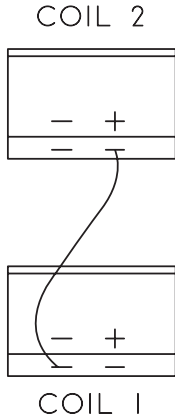


MAGNETIC LATCHING RELAYS

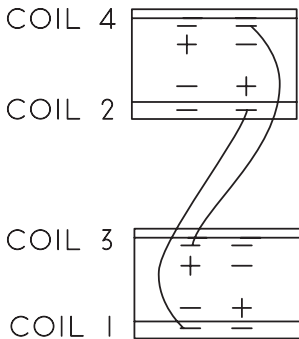
887/987 TECHNICAL DIAGRAM 03

CONTROL DIAGRAMS

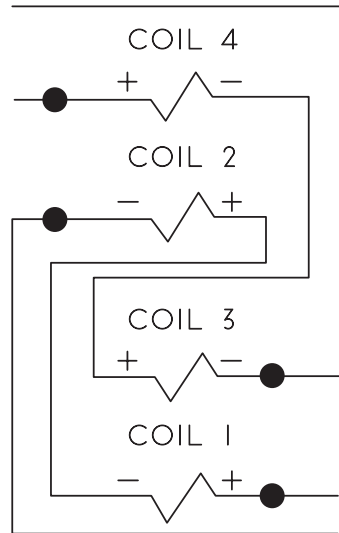
WIRING SCHEMATIC STD LATCH



WIRING SCHEMATIC BIFILAR LATCH



TO LATCH
 (+) TO COIL 3-
 (-) TO COIL 4+.
 REVERSE TO
 UNLATCH WHEN
 NO S-OPTION
 DIODES ARE USED.



TO UNLATCH
 (+) TO COIL 1+
 (-) TO COIL 2-,
 REVERSE TO UNLATCH
 WHEN NO S-OPTION
 DIODES ARE USED.